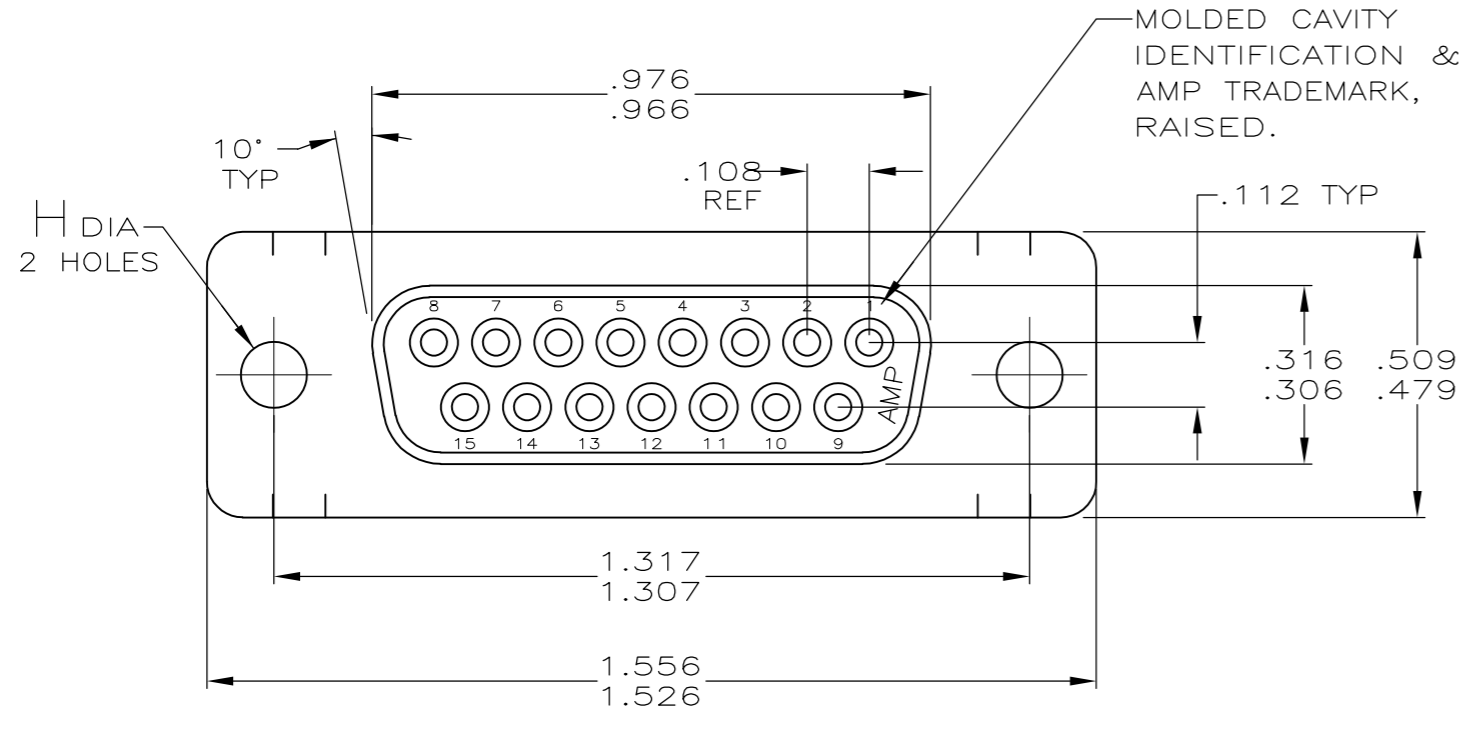
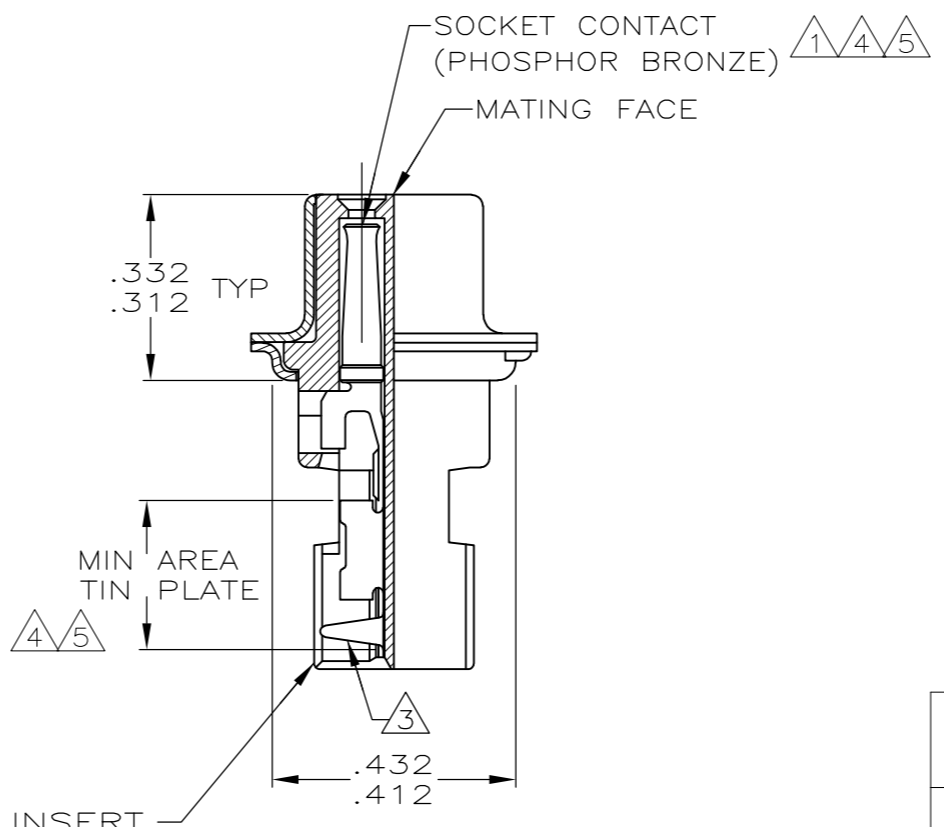
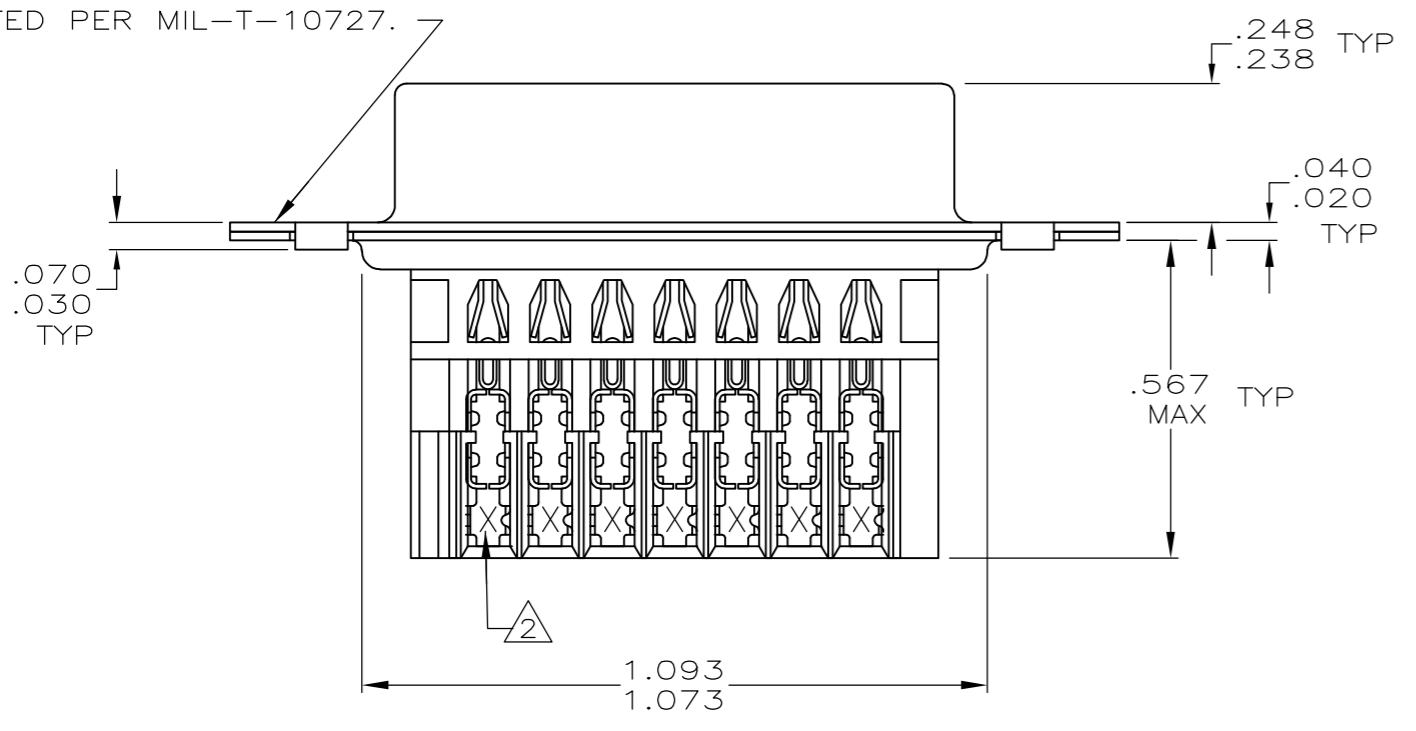


THIS DRAWING IS UNPUBLISHED. RELEASED FOR PUBLICATION
 © COPYRIGHT - By - ALL RIGHTS RESERVED.

LOC		DIST		REVISIONS			
P	LTR	DESCRIPTION		DATE	DWN	APVD	
GP	00	L3	REVISED PER ECO-11-004835		11MAR11	RK	HMR



SHELL, STEEL, PER QQ-S-698 BRIGHT-TIN PLATED PER MIL-T-10727.



- ① HOUSING FULLY LOADED WITH CONTACTS.
- ② NUMBER ON CONTACT INDICATES WIRE RANGE.
- ③ CONTACT INSULATION RANGE: .060 MAXIMUM O.D.
- ④ .000030 GOLD ON MATING END FOR .100 MIN LENGTH. .000100-.000200 BRIGHT TIN OR BRIGHT TIN-LEAD IN AREA SHOWN. .000050 NICKEL UNDERPLATE ON ENTIRE CONTACT.
- ⑤ .000001 MIN GOLD ON MATING END FOR .100 MIN LENGTH. .000100-.000200 BRIGHT TIN OR BRIGHT TIN-LEAD IN AREA SHOWN. .000030 NICKEL UNDERPLATE ON ENTIRE CONTACT.
- ⑥ SUPERSEDED BY 745493-1
- ⑦ SUPERSEDED BY 745493-5
- ⑧ OBSOLETE
- ⑨ .000030 GOLD ON MATING END FOR .100 MIN LENGTH. .000100-.000200 MATTE TIN IN AREA SHOWN. .000050 NICKEL UNDERPLATE ON ENTIRE CONTACT.
- ⑩ .000001 MIN GOLD ON MATING END FOR .100 MIN LENGTH. .000100-.000200 MATTE TIN IN AREA SHOWN. .000030 NICKEL UNDERPLATE ON ENTIRE CONTACT.

STANDARD	.125 .115	⑨	1	#26-30	1-745493-6
STANDARD	.125 .115	⑩	2	#22-26	1-745493-5
STANDARD	.125 .115	⑨	2	#22-26	1-745493-4
SMALL PACK	.125 .115	⑤	2	#22-26	⑦ 1-745493-3
STANDARD	.156 .146	⑤	3	#20-22	⑧ 1-745493-2
			2	#22-26	⑧ 1-745493-1
			1	#26-30	⑧ 1-745493-0
STANDARD	.156 .146	④	3	#20-22	⑧ 745493-9
			2	#22-26	⑧ 745493-8
			1	#26-30	⑧ 745493-7
STANDARD	.125 .115	⑤	3	#20-22	⑧ 745493-6
			2	#22-26	⑧ 745493-5
			1	#26-30	⑥ 745493-4
STANDARD	.125 .115	④	3	#20-22	⑧ 745493-3
			2	#22-26	⑧ 745493-2
			1	#26-30	⑧ 745493-1
PACKAGING	H	CONTACT FINISH	②	AWG WIRE RANGE	PART NUMBER

THIS DRAWING IS A CONTROLLED DOCUMENT.

DIMENSIONS: INCHES	TOLERANCES UNLESS OTHERWISE SPECIFIED:	DWN L. VARELA - DOCK5 11-16-04	CHK J. GERACE 11-16-04	TE Connectivity	
	0 PLC ± -	APVD M. WALMSLEY 11-16-04	NAME		
	1 PLC ± -	PRODUCT SPEC 108-40011	RECEPTACLE ASSEMBLY, METAL SHELL, SIZE 2, 15 POSITION, SERIES HDE-20 FOR MASS TERMINATION		
	2 PLC ± -	APPLICATION SPEC 114-40002	SIZE A2	CAGE CODE 00779	DRAWING NO C=745493
	3 PLC ± .005	WEIGHT -	SCALE 3:1	SHEET 1 of 1	REV L3
MATERIAL SEE CALL OUT	FINISH SEE TABLE	CUSTOMER DRAWING		RESTRICTED TO -	
		SCALE 3:1		REV L3	